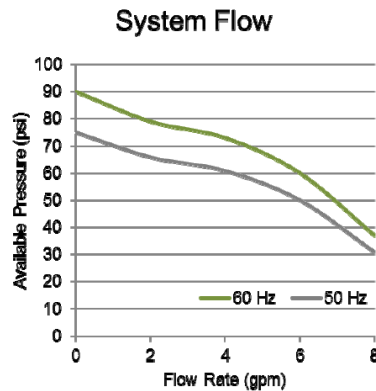
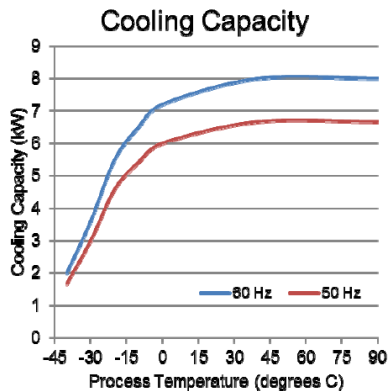


# Chiller Affinity P-series RC50222G1

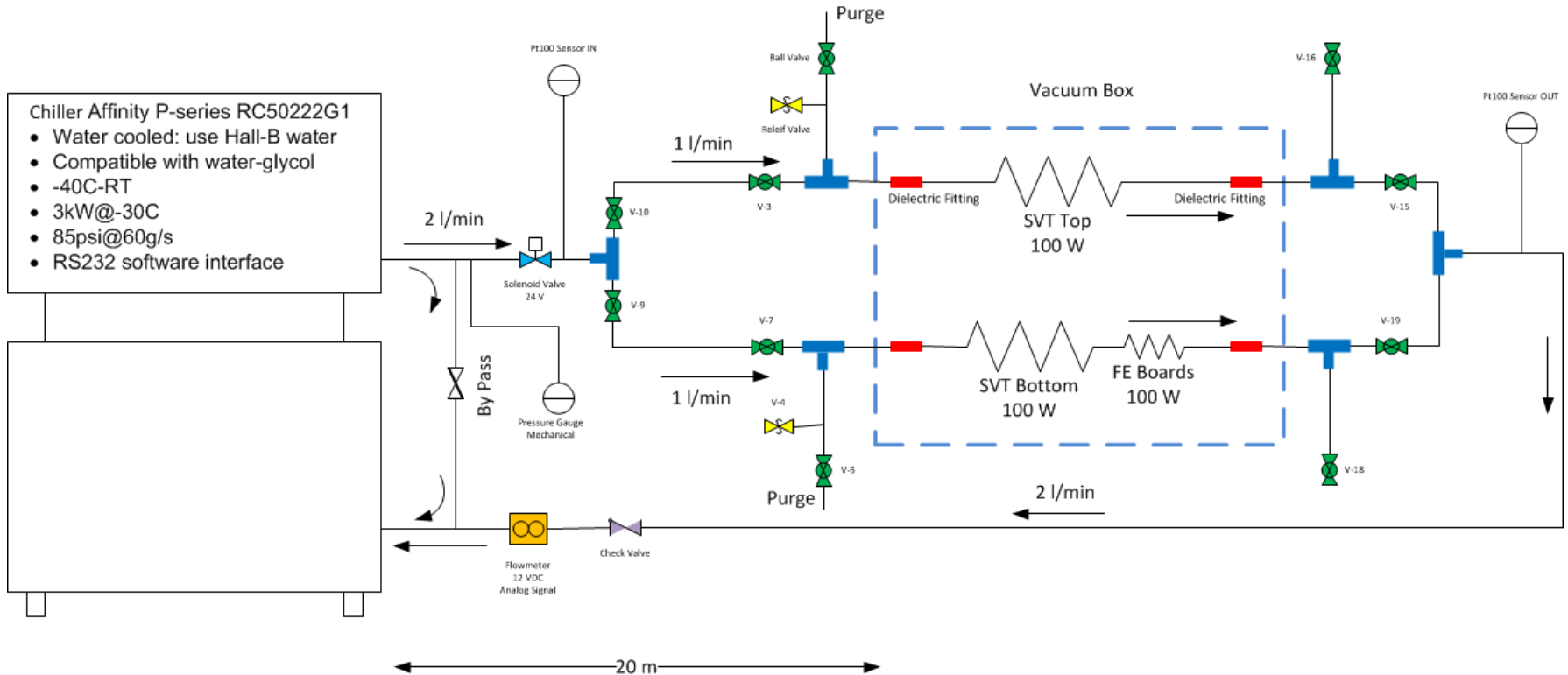
## System Performance Characteristics

Model Nomenclature	PWG-060K-BE44CBD2
Part Number	900-50222-000
MET Listed to UL1995	Yes
CE Marked	Yes
Weight	575 lbs, shipping weight
Dimensions (l, w, h) (in)	29.0, 19.25, 45.75
(cm)	73.7, 48.9, 116.2
Ambient Temperature Range	41° F - 104° F (5° C - 40° C)
Process Temperature Range	-40° F - 194° F (-40° C - 90° C)
Communications	RS232
Nominal Cooling Capacity	2 kW @ -40° F
Nominal Process Heater	2 kW at 240 Volt
Pump Performance	3.5 gpm (13.2 lpm) @ 55 psi (3.8 bar), 60 Hz
Process Fluid	HFE 7500
Process Fluid Connections	½" Swagelok
Facility Water Connections	¾" Female NPT
Electrical Configuration:	
Voltage @ 60 Hz	208-230 Volts +/- 10%
Voltage @ 50 Hz	200-220 Volts +/- 10%
Phase	3
Total Amps	37.2
Maximum Fuse Disconnect	60 Amp (required of customer)
Refrigerant	R-507

Notes: Data @ 30°C/86°F unrestricted ambient air for air-cooled chillers.  
 Capacities decrease with increasing ambient temperature.  
 Data performed with HFE 7500 as the process fluid.



# SVT Cooling Requirements



## Slow Control Items :

2 x Pt100 Sensors

1 Flow meter 12 VDC, Analog Output

1 Check Valve

1 Solenoid Valve 24V interlocked with Sensors Temp., Flow, Vacuum Gauge  
Chiller Low/High Pressure via RS232 (monitor only)